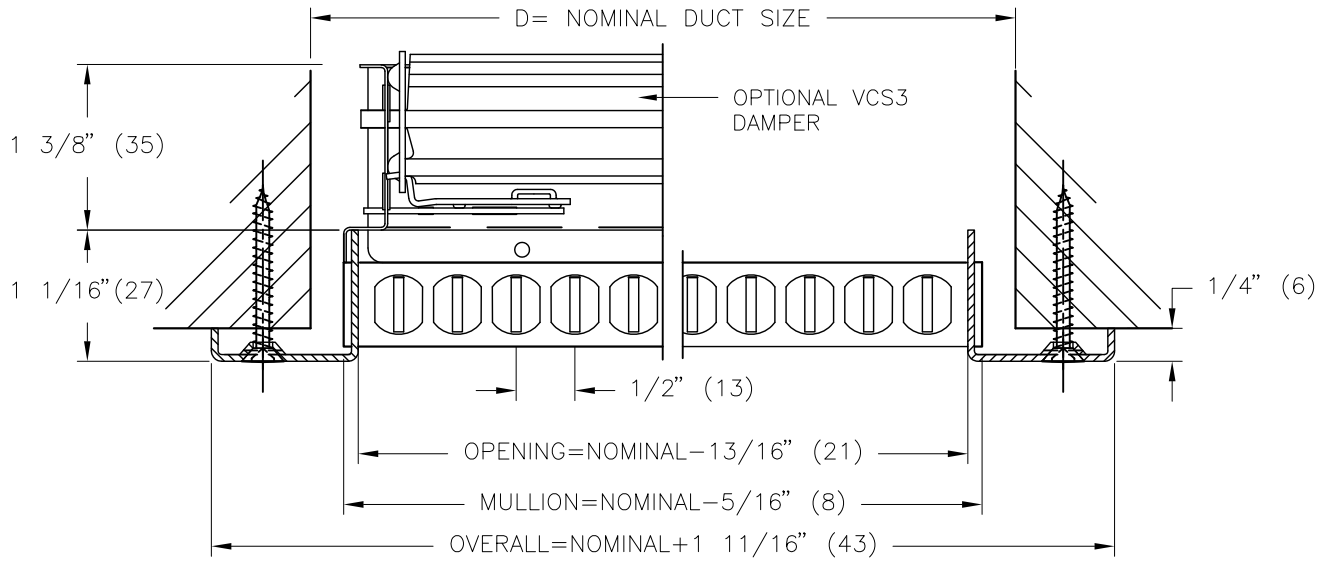
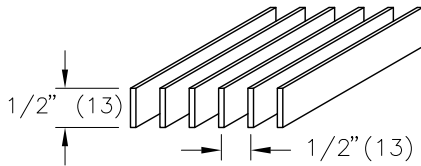


910 SERIES GRILLES & REGISTERS

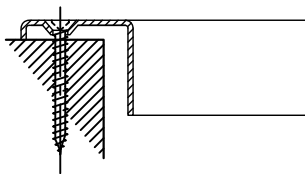


CORE STYLE

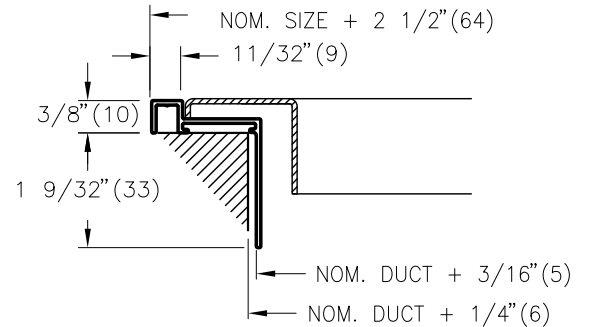
- 910 BLADE SPACING



- A SCREW FASTENING



- D MOUNTING FRAME



MATERIAL:

- HEAVY DUTY STEEL CONSTRUCTION
- 16 GAUGE STEEL FRAME
- 14 GAUGE STEEL BLADES
- 14 GAUGE STEEL MULLIONS
- OPTIONAL D MOUNTING FRAME
- EXTRUDED ALUMINUM

OPTION:

- VCS3 - C/W. COATED STEEL OPPOSED BLADE DAMPER
- C/W. 0 DEGREE BLADE LOCK
- C/W. 45 DEGREE BLADE LOCK

FINISH:

- B12 WHITE
(OPTIONAL FINISHES AVAILABLE)

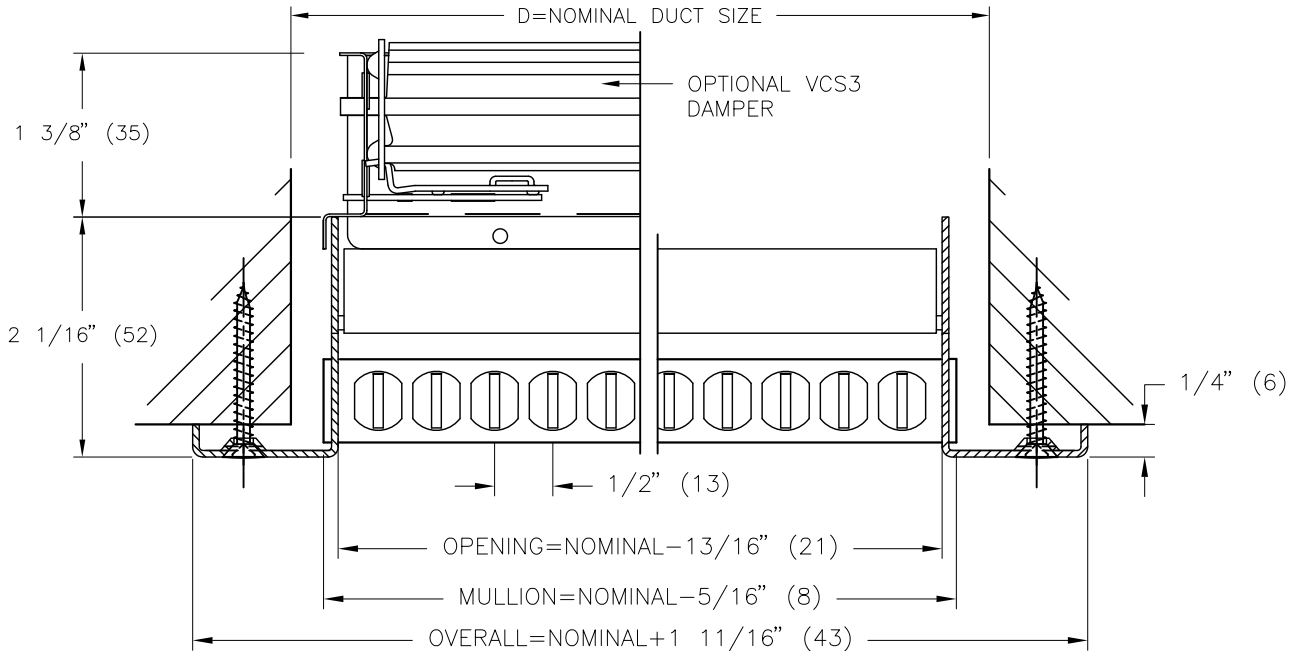
NOTES:

- INDIVIDUALLY ADJUSTABLE BLADES (45 TO -45 DEG.)
- ONE BLADE FIXED AT 0° DEFLECTION APPROXIMATELY EVERY 12" (305)
- TYPE A FASTENING - COUNTERSUNK SCREW HOLES FOR NO.8 S.M.S. PER FACTORY STANDARD. (SCREWS SUPPLIED)
- AVAILABLE SIZES - MIN.= 6"x4" (152x102)
MAX. ONE PIECE 48"x48" (1219x1219)
- OVERSIZED UNITS AVAILABLE c/w DUCT MOUNTING CHANNEL.
- BLADE ORIENTATION - FRONT SET
- L = PARALLEL TO LONG DIMENSION.
- S = PARALLEL TO SHORT DIMENSION.

ALL METRIC DIMENSIONS () ARE SOFT CONVERTED. IMPERIAL DIMENSIONS ARE CONVERTED TO METRIC AND ROUNDED TO THE NEAREST MILLIMETER.

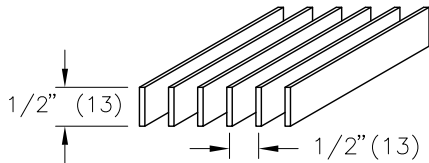
PROJECT:		PRICE®	
ENGINEER:		<i>mg</i>	910 SERIES HEAVY DUTY STEEL GYMNASIUM GRILLE
CUSTOMER:		239535	
SUBMITTAL DATE:	SPEC. SYMBOL:	2018/05/15	

920 SERIES GRILLES & REGISTERS

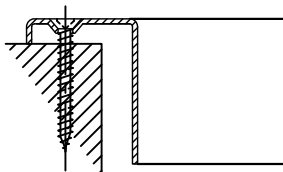


CORE STYLE

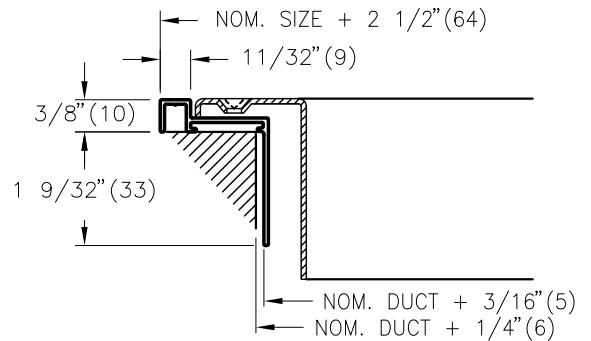
920 FRONT BLADES



A SCREW FASTENING



D MOUNTING FRAME



MATERIAL:

- HEAVY DUTY STEEL CONSTRUCTION
- 16 GAUGE STEEL FRAME
- 14 GAUGE STEEL FRONT DEFLECTION BLADES SPACED AT 1/2" (13)
- STEEL REAR DEFLECTION BLADES SPACED AT 3/4" (19)
- 14 GAUGE STEEL MULLIONS
- OPTIONAL D MOUNTING FRAME - EXTRUDED ALUMINUM

OPTIONS:

- VCS3-C/W. COATED STEEL OPPOSED BLADE DAMPER
- C/W. 0 DEGREE BLADE LOCK
- C/W. 45 DEGREE BLADE LOCK

FINISH:

- B12 WHITE (OPTIONAL FINISHES AVAILABLE)

NOTES:

- INDIVIDUALLY ADJUSTABLE FRONT BLADES (45 TO -45 DEG.)
- ONE BLADE FIXED AT 0° DEFLECTION APPROXIMATELY EVERY 12" (305)
- INDIVIDUALLY ADJUSTABLE REAR BLADES
- TYPE A FASTENING - COUNTERSUNK SCREW HOLES FOR NO.8 S.M.S. PER FACTORY STANDARD. (SCREWS SUPPLIED)
- AVAILABLE SIZES - MIN.= 6"x4" (152x102) MAX. ONE PIECE 48"x48" (1219x1219)
- OVERSIZED UNITS AVAILABLE c/w DUCT MOUNTING CHANNEL.
- BLADE ORIENTATION - FRONT SET
 - L = PARALLEL TO LONG DIMENSION.
 - S = PARALLEL TO SHORT DIMENSION.

ALL METRIC DIMENSIONS () ARE SOFT CONVERTED. IMPERIAL DIMENSIONS ARE CONVERTED TO METRIC AND ROUNDED TO THE NEAREST MILLIMETER.

PROJECT:		PRICE®	
ENGINEER:		239579	920 SERIES HEAVY DUTY GRILLE DOUBLE DEFLECTION W/ADJUSTABLE BLADES
CUSTOMER:			
SUBMITTAL DATE:	SPEC. SYMBOL:	2018/05/15	